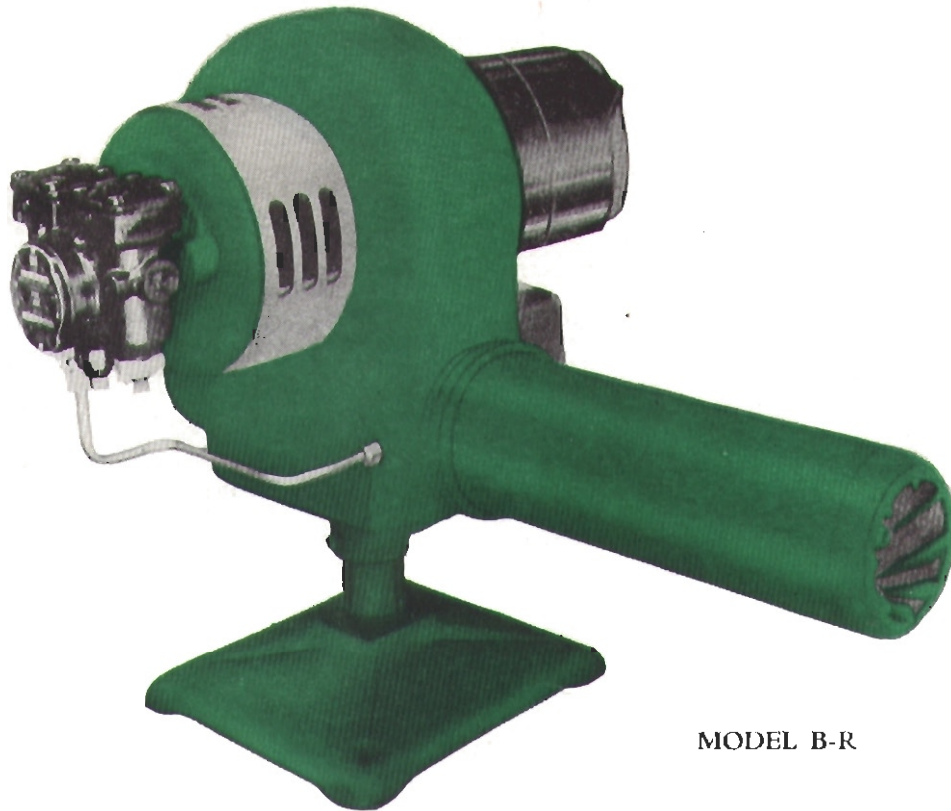


MOHAWK OIL BURNER

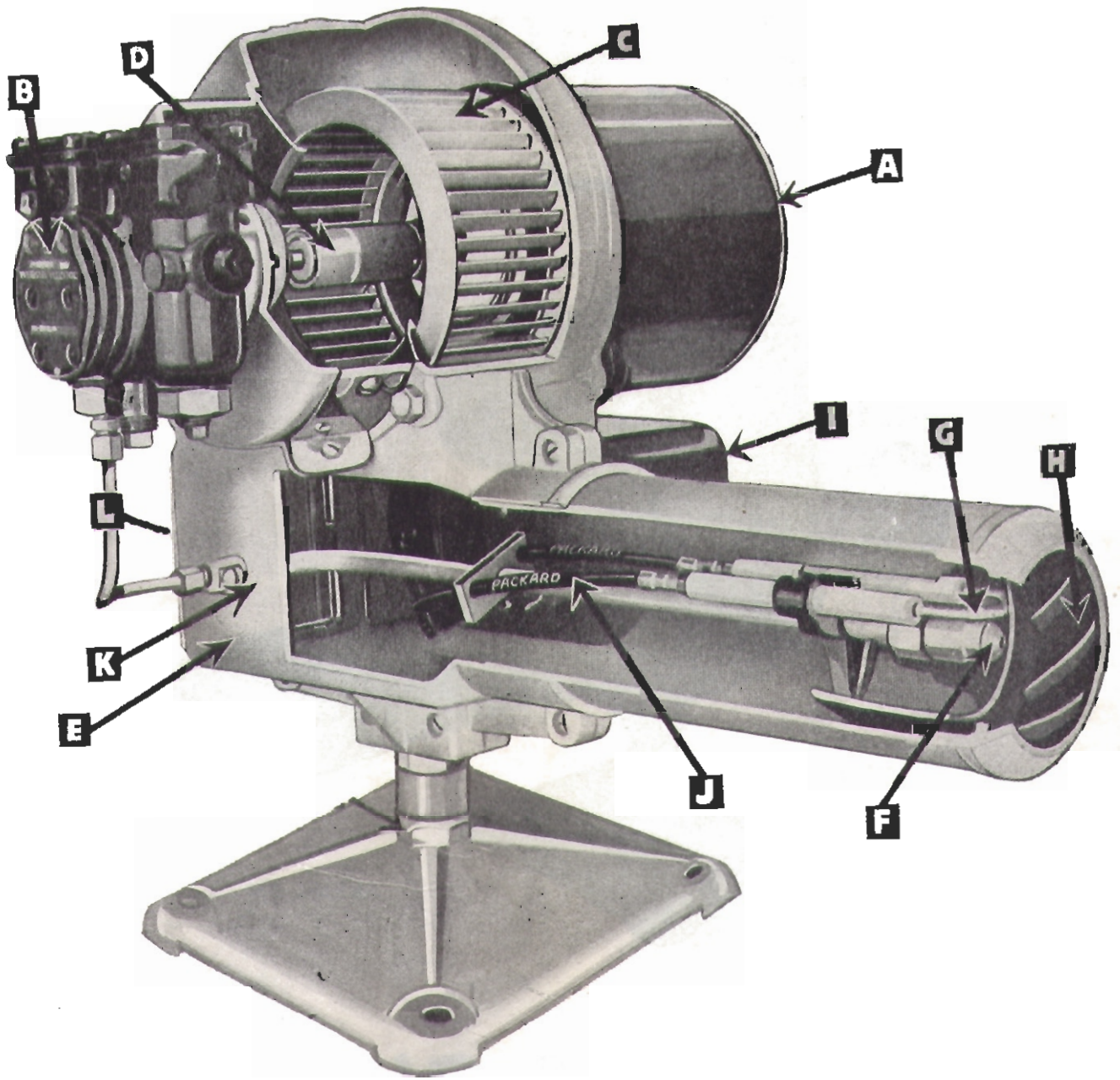


MODEL B-R

Is Chief of Them All

HOME BUILDING & HEATING CO.
11 BEACON ST. CAP. 2660

Precision Built • Tested Performance • Luxurious Heat



CHECK THESE OUTSTANDING FEATURES!

- A. MOTOR**—Mohawk or General Electric Induction type, 1750 RPM, 60 cycle, 110V. Single Phase AC., with thermol cut-out overload protection switch, as standard equipment.
- B. PUMP**—Webster electric noiseless type, with large strainer and cut-off.
- C. FAN**—Cast aluminum, Sirocco type, dynamically balanced. Burner is designed to take three different size fans, to accommodate varying capacities.
- D. FLEXIBLE DRIVE**—Flexible coupling, one line shaft type, no moving or wearing parts.
- E. HOUSING**—Cast steel with all parts precision machined for interchangeability. Conforming to all regulations and C.S.-7542.
- F. PRESSURE NOZZLE**—Stainless Steel with non-corrosive mesh strainer.
- G. ELECTRODES**—Heat resistant Nichrome, high tension leads with quick snap clips.
- H. SPIRAL-VANE DIFFUSER**—Combines air and oil mixture to give a perfect spray.
- I. TRANSFORMER**—10,000 volt electric ignition, intermittent type, with built-in radio interference eliminator.
- J. ELECTRODE-CABLE**—“Packard” for longer service.
- K. NOZZLE TUBE SUPPORT**—Permits removal or proper setting of assembly with ease.
- L. BACK PLATE**—Large opening, permitting removal of nozzle tube assembly with ease.