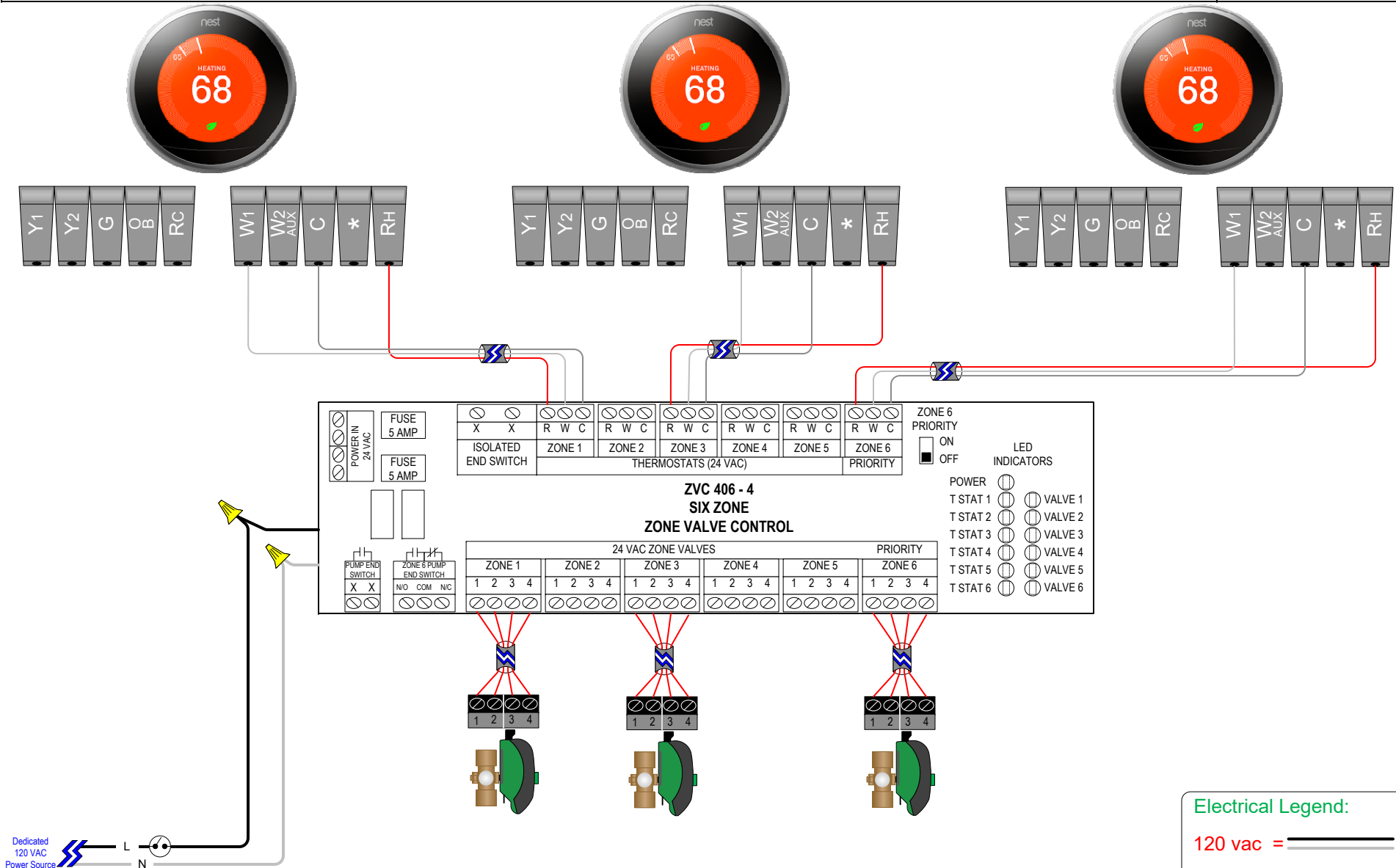


Instruction Sheet

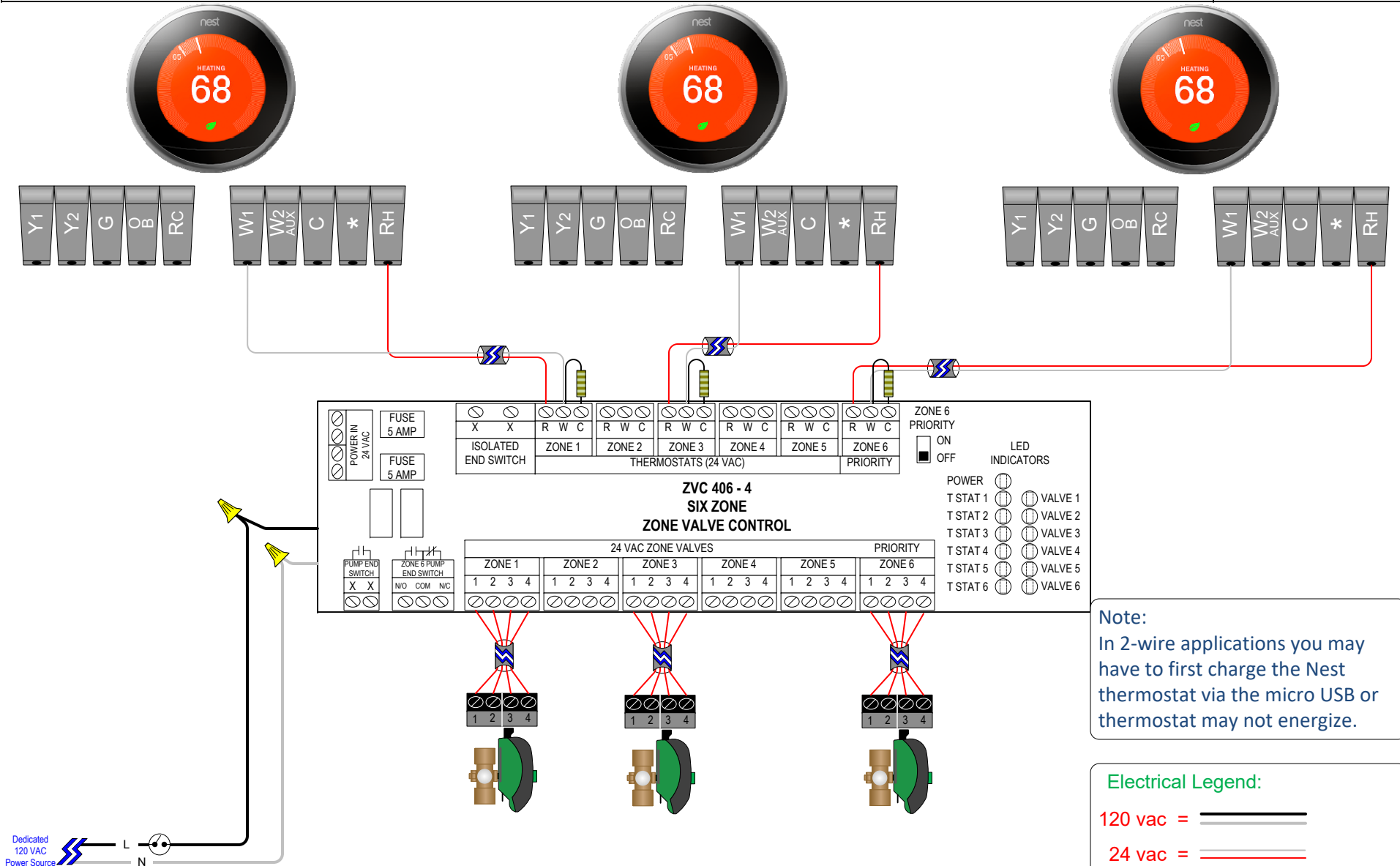
Nest to ZVC w/ 3 wires application






Dedicated
120 VAC
Power Source

Instruction Sheet

Nest to ZVC w/ 2 wires application

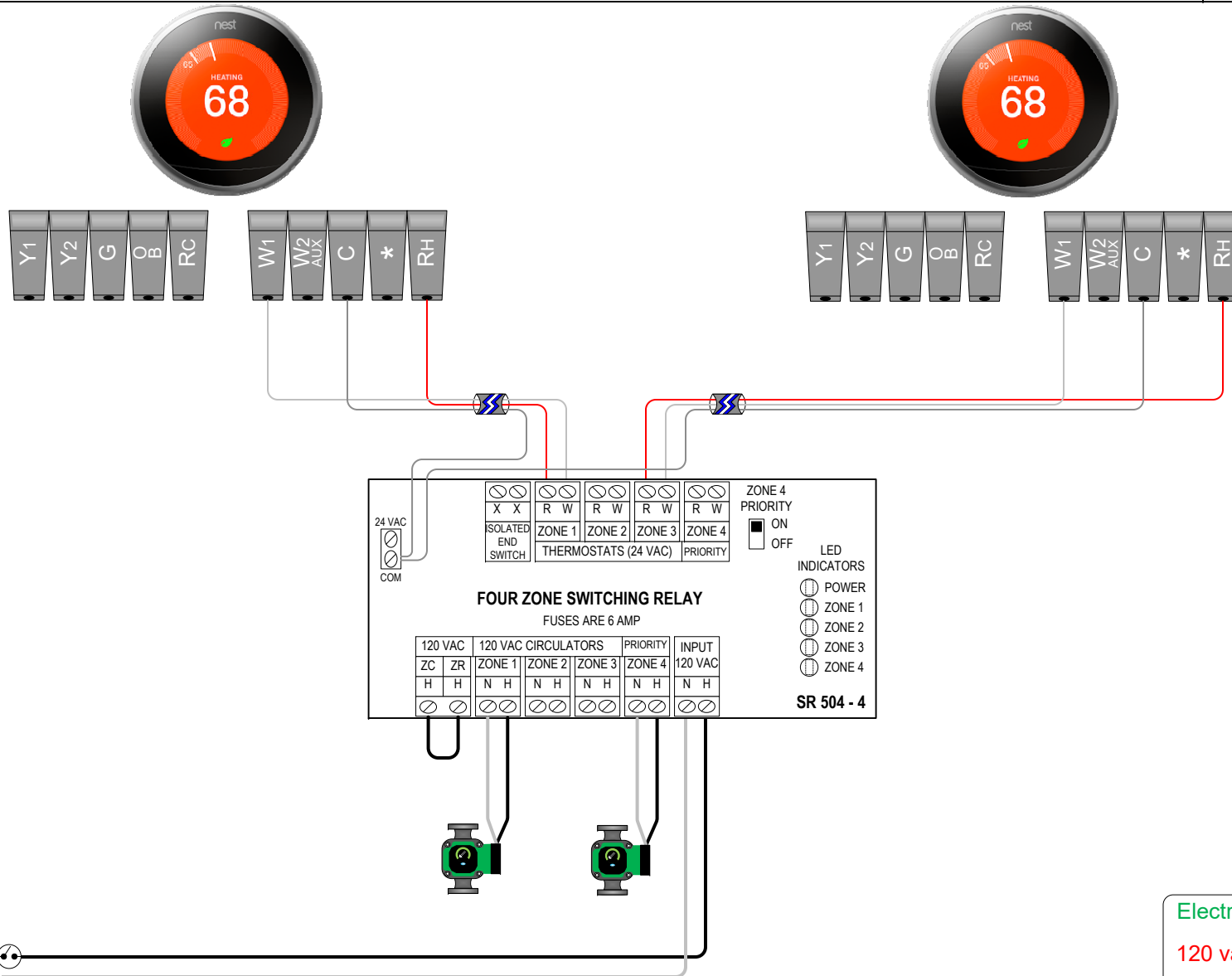


Note:
In 2-wire applications you may have to first charge the Nest thermostat via the micro USB or thermostat may not energize.


Electrical Legend:
120 vac = 
24 vac = 
1K ohm 1/2 watt Resistor = 

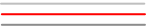
Instruction Sheet

Nest to SR w/ 3 wires application



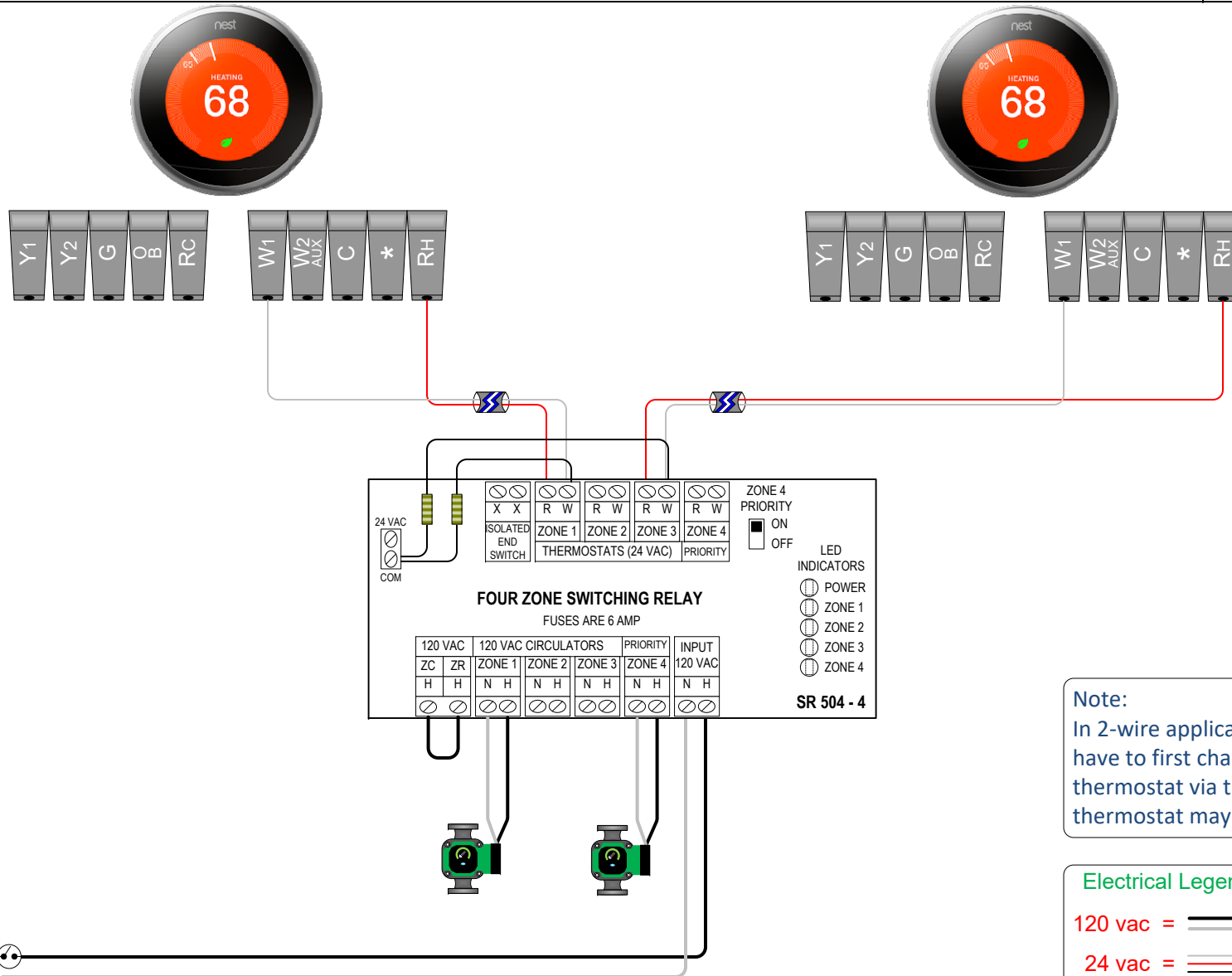
Electrical Legend:

120 vac = 

24 vac = 


Instruction Sheet


Nest to SR w/ 2 wires application



Note:
In 2-wire applications you may have to first charge the Nest thermostat via the micro USB or thermostat may not energize.

Electrical Legend:

120 vac = 

24 vac = 

1K ohm 1/2 watt Resistor = 