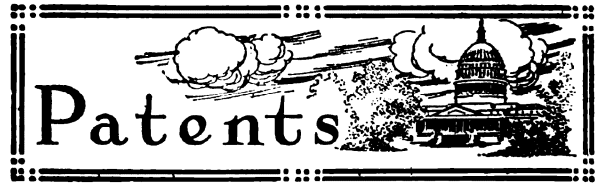


"CAPITOL"
HIGH GRADE
Radiator Valves

All Valves thoroughly tested and inspected before shipment.

Capitol Brass Works
 DETROIT, MICH.

J. D. Steam Union Radiator Valve



Heating Department.

1,135,562. Heating Apparatus. Thomas H. Ward and Rufus K. Seals, California, Pa. In a heating apparatus, vertical water-heating coils, a dome located above the coils and having a central vertical flue through the same, the said coils being connected to the dome, a jacket constituting a combustion chamber and surrounding the coils and having its upper end closed by the steam dome, burners beneath the coils, an air heating drum, flue connections from the said flue to the interior of the drum, an outlet pipe connected to the drum, steam and water outlet pipes leading from the dome, and a jacket inclosing the first named jacket, the dome, and the drum, and provided with hot-air outlet connections.

1,135,057. Threading Device. Charles F. Schultis, Cleveland, Ohio, assignor to Christian Girl, Cleveland, Ohio. In a device of the character set forth, the combination of a shank, a slotted head carried by said shank and having a chamber therein, die-carrying levers pivotally mounted in the slots in said head, springs tending to force the rear ends of said levers inwardly, a rod slidably mounted in said shank and projecting into said chamber, and abutment adjustably-mounted on said rod, and means yieldingly projecting said rod and abutment forwardly in to said chamber, the abutment and the portions of said levers which are at the rear of their pivotal connection having co-operating abrupt portions adapted to be moved past each other when the abutment is moved rearwardly, so as to permit the abrupt inward movement of the rear ends of said levers.



Ready for Instant Use

The time lost on each job in fitting up an old-fashioned vise bench will more than pay for a

Portable Vise Bench


Besides, this bench can be folded and carried to the job by any boy—saving express charges—and can be set in position and fastened to floor in a few minutes.

Built to last forever. Order one and you will never use any other kind.

Standard Iron Works
 540-50 W. 58th Street
 New York City

"IT'S ALL IN THE SEAL"

Do You Know that the Original



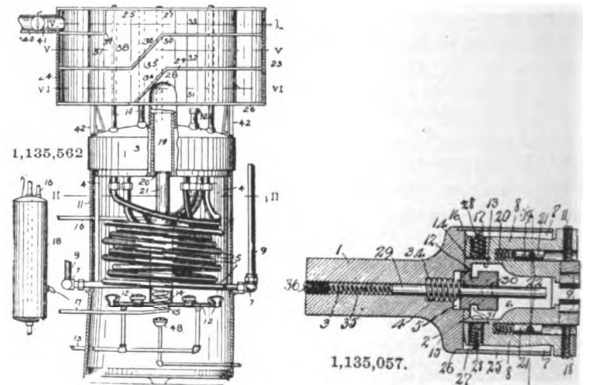
Trane Mercury Seal
 (Patented)

attached to an old steam heating system, or to an old vapor plant of any type, will increase its efficiency by 100%?

The price is very reasonable. Write for special information on "improving old jobs."


Vacuum Heating Co.
 1315 Cherry St. Philadelphia, Pa.

Patented



1,136,364. Pipe-Bending Machine. William O. Powell, Chester, Pa. In a pipe-bending machine, a base, a plate secured to said base in spaced relation from the ends thereof, a block secured to the base and contacting with the adjacent side of the base, said block having an enlarged portion formed upon one end thereof forming a stationary jaw, a movable jaw slidably upon the block and plate to and from the stationary jaw, said movable jaw having a recess formed in one end thereof, an operating rod engaging said recess, and a top plate engaging the movable jaw and passing over said recess and preventing the displacement of the operating member therefrom.

1,136,084. Heat-Regulator. Lawrence A. Abbott, Chicago, Ill. In a heat regulator for vacuum systems, the



The American Closet

is the latest achievement in practicability. In a class by itself for simplicity, economy and durability.

Nothing in Tank but Air and Water.

Write us today and find out all about it.

American Valve & Tank Co.
 INDIANAPOLIS, U. S. A.